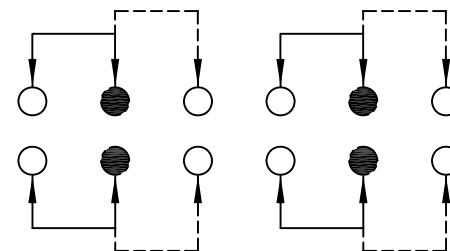
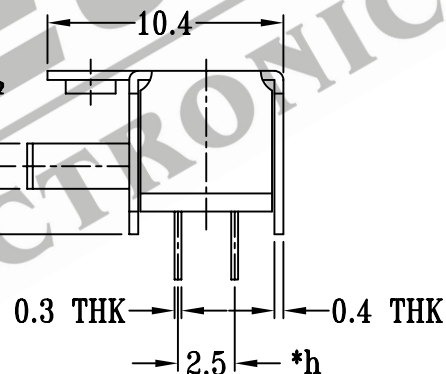
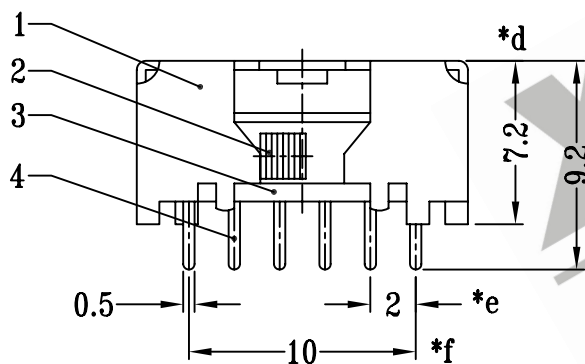
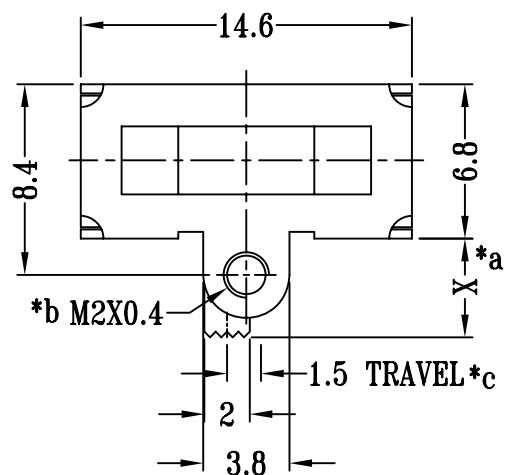
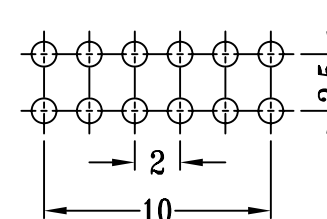


CAD FILE:



**SCHMATIC (SHORTING)**



**P.C.B LAYOUT**

注：“\*”表示关键尺寸（8个）

					TOLERANCE UNLESS SPECIFIED		SHENZHEN XIEJIA ELECTRONICS CO.,LTD.				
					WITHIN: 1.5±0.1mm		ISSUE	DATE	DESCRIPTIONS		APPD.
					OVER: 1.5±0.2mm				TITLE: HORIZONTAL SLIDE SWITCH		
8											
7											
6	SPRING PLATE	STAINLESS STEEL	1	NATURAL							
5	CONTACT CLIP	PBS	4	Ag CLAD							
4	TERMINAL	BRASS STRIP	12	Ag PLATED OVER Ni PLATED							
3	BASE	PHENOLIC RESIN	1	NATURAL							
2	KNOB	POM	1	BLACK							
1	FRAME	STEEL STRIP	1	Ni PLATED							
NO.	PART NAME	MATERIAL	Q'TY	FINISHING	MODEL: SK-42C16			SCALE: 3:1	CHK'D	FANGYING	2005-9-8
					ALL MATERIALS MUST BE COMPLIANT TO ROHS			APPD.	KANGXINAN	2005-9-8	